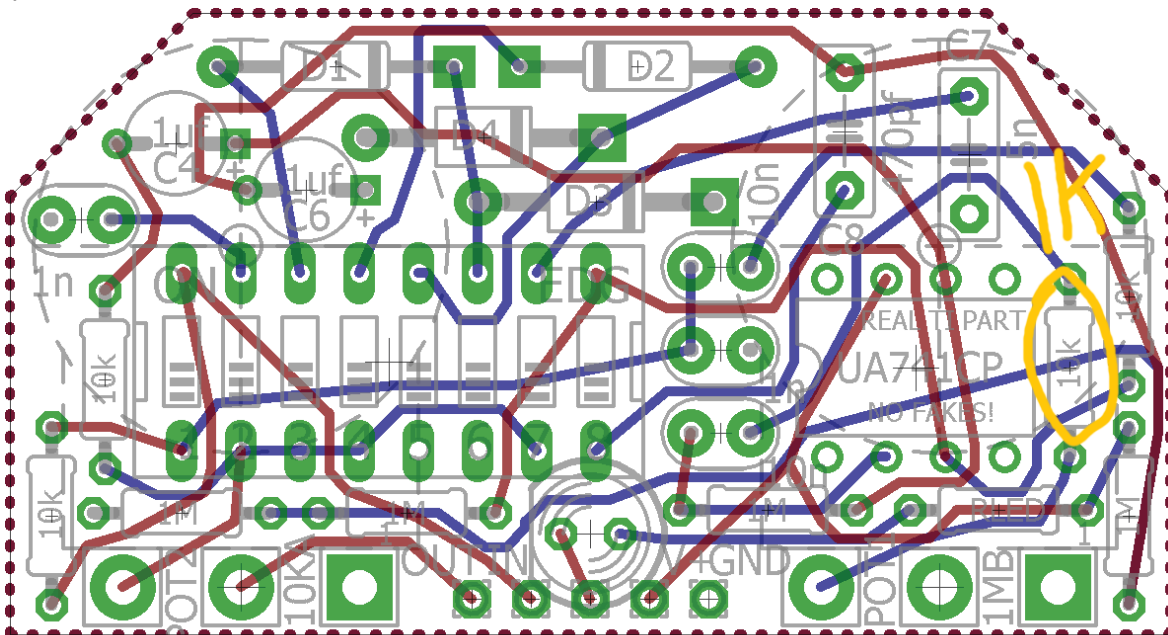


script (vintage) MXR Distortion Plus modified by EATYOURGUITAR

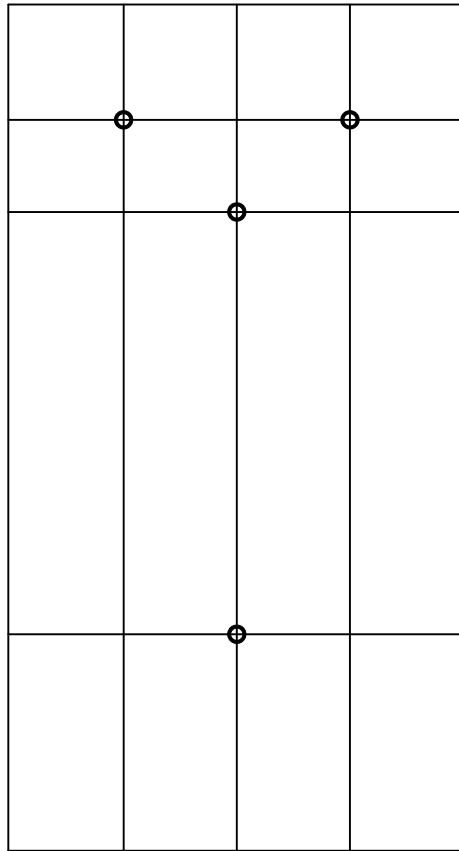
BILL OF MATERIALS

- 2 1N4001 rectifier diode DO-41 also 1N4148
- 2 1N270 germanium diode also try 1N34
- 1 8PST dip switch DIP8
- 4 1M resistor 1/4 watt
- 3 10k resistor 1/4 watt
- 1 1k resistor 1/4 watt
- 1 470R resistor 1/4 watt (optional)
- 1 RLED resistor 4.7K? (optional)
- 2 10n ceramic disk
- 2 1n ceramic disk
- 2 1uf tantalum
- 1 470pf polyester film box
- 1 5n polyester film box
- 1 1MB pot linear taper
- 1 10KA pot audio taper
- 1 741 Texas Instruments 741 op-amp
- 1 LED 5mm or 3mm LED (optional)
- 1 --- LED standoff, height depends on LED height (optional)

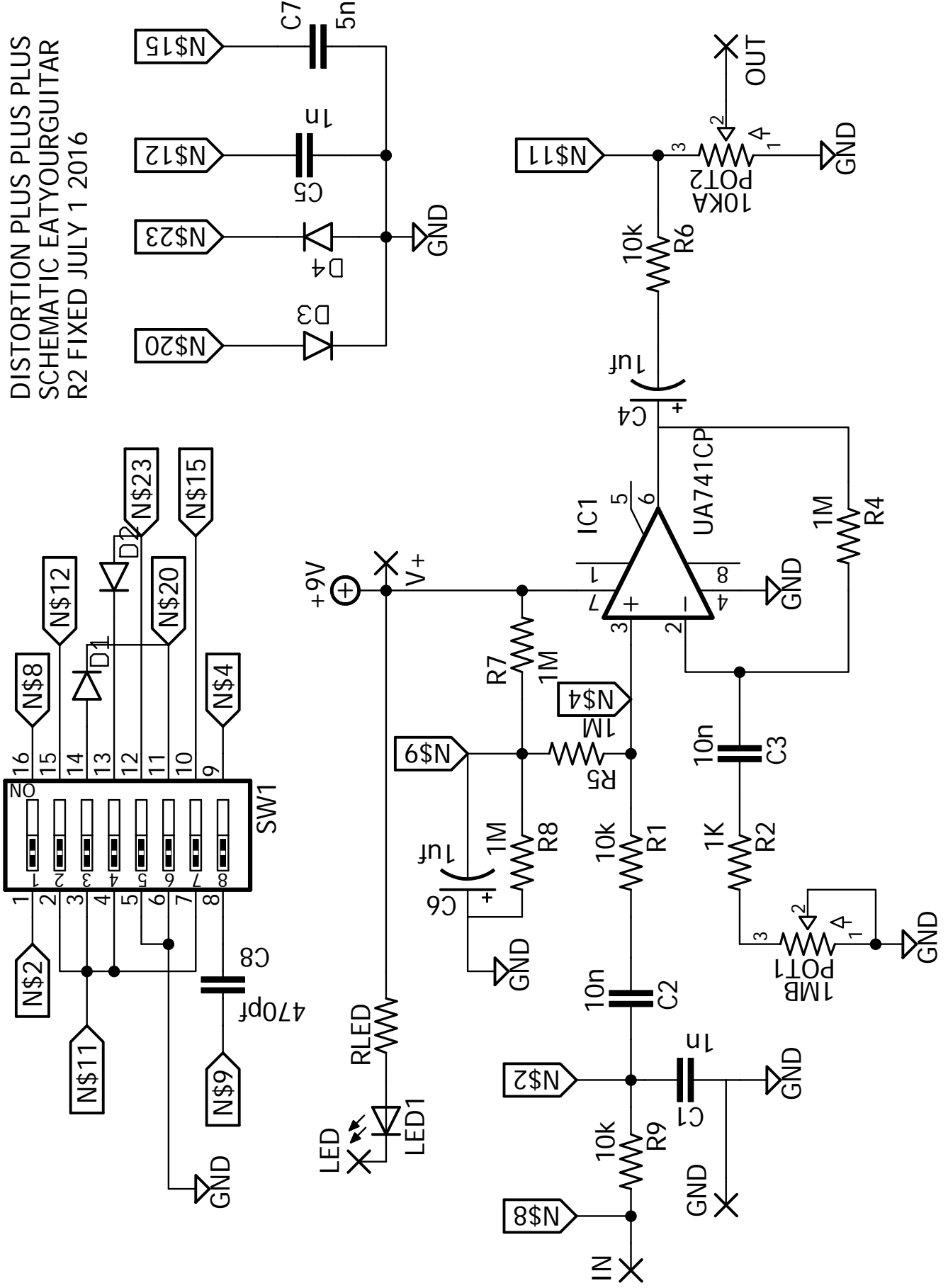
The circuit is the original MXR script logo distortion plus with dip switches 1 to 6 ON (7, 8 OFF). With dip switch 1, 2 OFF and 7, 8 ON you have some minor filtering with poly film box caps and an added resistor. Dip switch 3, 4, 5, 6 are your options for more headroom before clipping, asymmetrical clipping, or no diode clipping. You get all the noise of the original MXR unit but thankfully you can switch some of it off if you don't care about being %100 true to the original. There is a mistake on the silkscreen (see picture), 10K should be 1K. 470R is a mod for more dirt at one end of the knob. The value of the LED resistor is your choice, anything between 2k and 6k to get the desired brightness. 4K7 always works for 5mm red LED.

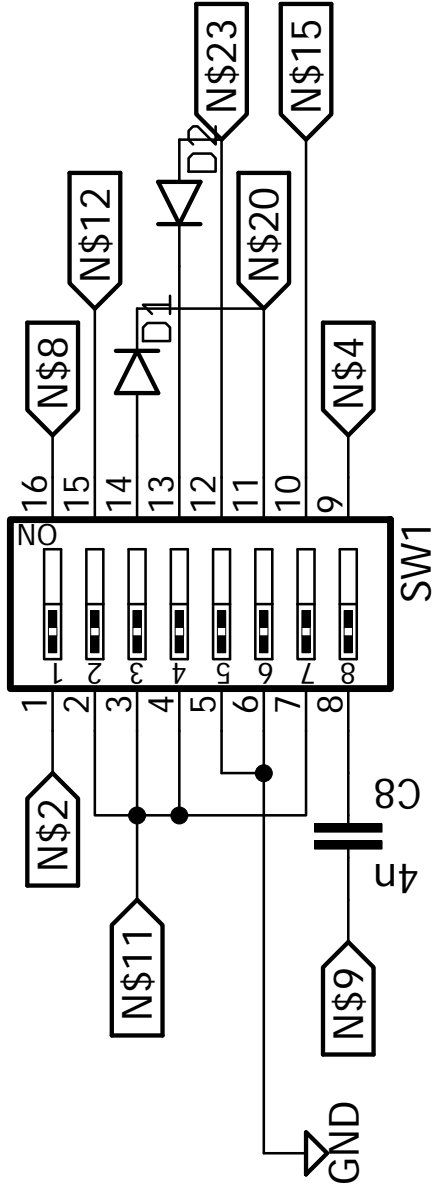


1590B



DISTORTION PLUS PLUS PLUS
 SCHEMATIC EATYOURGUITAR
 R2 FIXED JULY 1 2016





DARKER VERSION
FOR BRIGHT AMPS
MOST IMPORTANT CHANGE IS
BIGGER C7 OUTPUT LOWPASS
SWITCH 7 TURNED ON

