

STANDARD FUZZ BILL OF MATERIALS

1	100uf	Panasonic electrolytic 6mm
11	10uf	Panasonic electrolytic 5mm
1	220nf	polyester film box
1	5nf	polyester film box
1	1nf	polyester film box
1	1K	6 pin Isolated resistor array
1	10K	5 pin Bus resistor array
1	22K	4 pin Isolated resistor array
1	100K	8 pin Isolated resistor array
1	100R	resistor 1/4 watt
1	1.5K	resistor 1/4 watt
1	3K	resistor 1/4 watt
2	10K	resistor 1/4 watt
1	15K	resistor 1/4 watt
1	22K	resistor 1/4 watt
2	150K	resistor 1/4 watt
1	510K	resistor 1/4 watt
1	RLED	resistor 4.7K?
1	25K	trim pot
1	2SK30A	N channel JFET
4	2N3904	NPN transistor
1	1N4001	rectifier diode DO-41 (optional)
2	1N4148	small signal diode DO-35 (optional)
4	1N34	germanium diode
1	SPDT	diode switch ON-ON or ON-OFF-ON
2	100KB	potentiometer, 50KB also works

one of these

1 SPDT tone bypass switch ON-ON

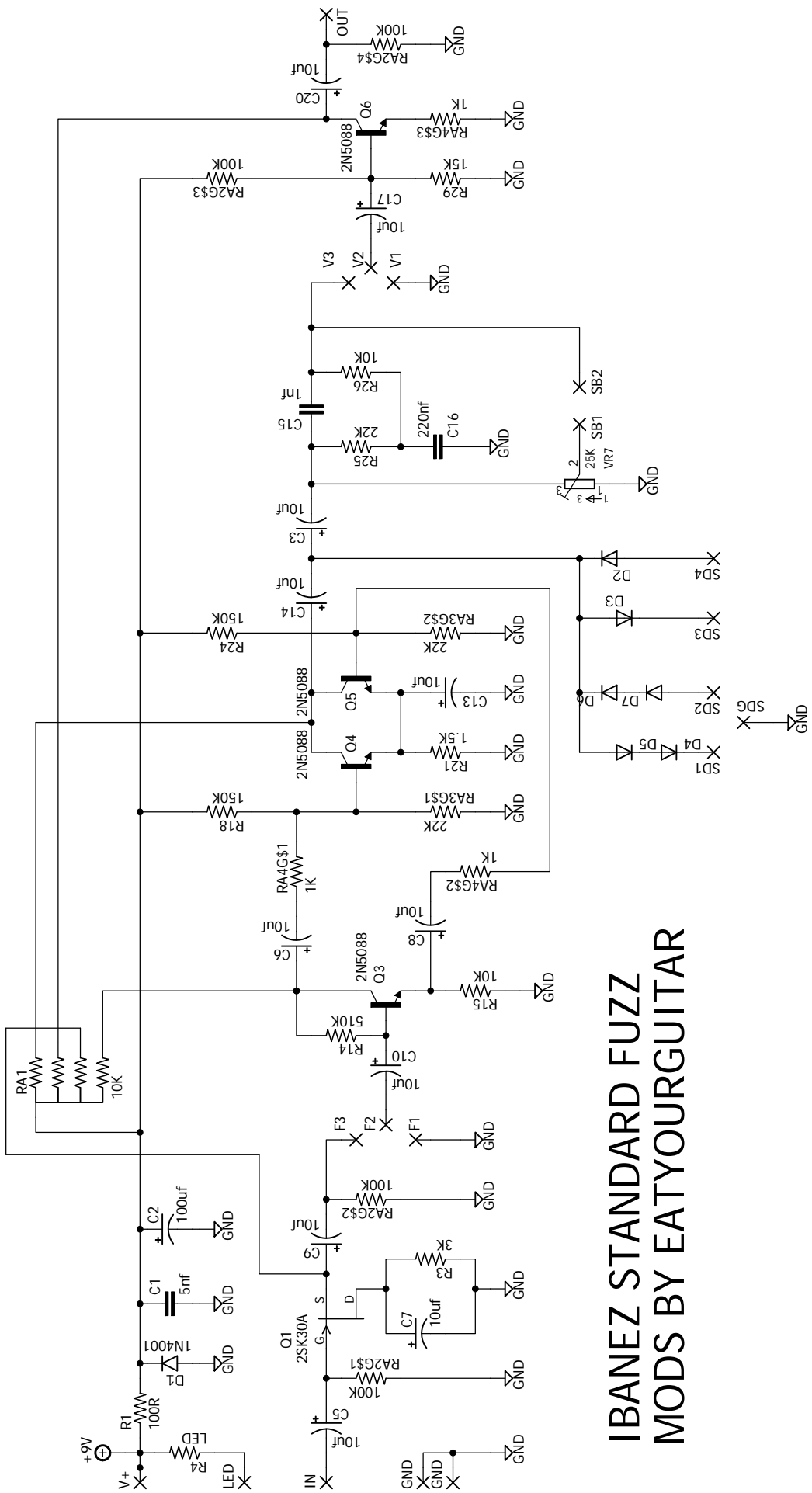
or

1 3PDT tone bypass footswitch

SUPER AWESOME OPTIONAL DIODE DELUXE MOD

2 pole 6 throw rotary switch

5KC potentiometer



IBANEZ STANDARD FUZZ MODS BY EATYOURGUITAR