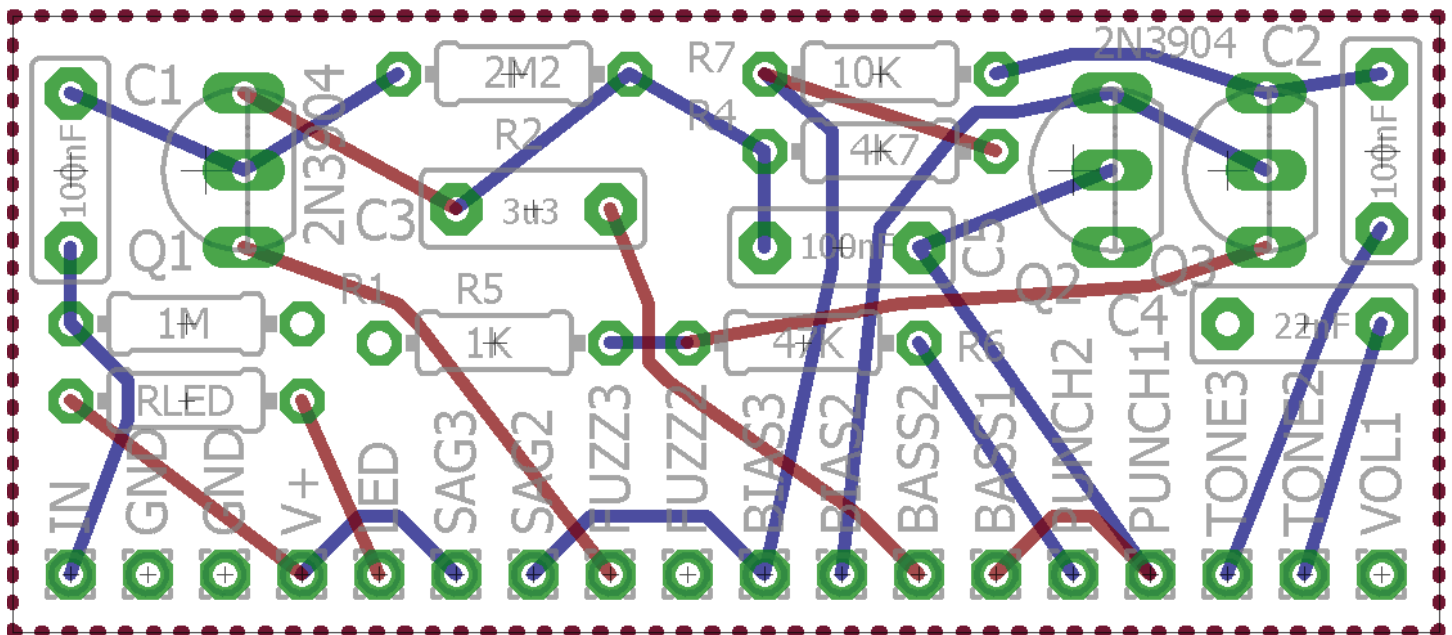


The creator of this crazy fuzz is gone from the internet. The chances are slim that a wolf computer will be manufactured by Eric from Mellowtone ever again. We do have enough information to make a clone with a lot of extra features that have not been done before. RIP this fuzz in death, behold this fuzz in new life. LED resistor labeled RLED can be anything from 2K to 6K depending on desired brightness. 4K7 always works for 5mm red LED. The tone control is experimental. You can remove it by adding a jumper wire from PCB TONE3 to PCB TONE2. 1KB fine sag pot can be wired in series to a 10KB sag pot or you can use a 10KB sag pot with no fine sag pot.

WOLF COMPUTER BILL OF MATERIALS

- 1 22nF polyester film capacitor box
- 3 100nF polyester film capacitor box
- 1 3u3 polyester film capacitor box
- 1 2M2 resistor
- 1 1M resistor
- 1 47K resistor
- 1 10K resistor
- 1 4K7 resistor
- 1 1K resistor
- 1 RLED resistor
- 3 2N3904 NPN transistor
- 1 250KB potentiometer
- 3 100KB potentiometer
- 1 25KB potentiometer
- 2 10KB potentiometer (optional)
- 1 1KB potentiometer (optional)



WOLF COMPUTER WITH MODS BY EATYOURGUITAR

